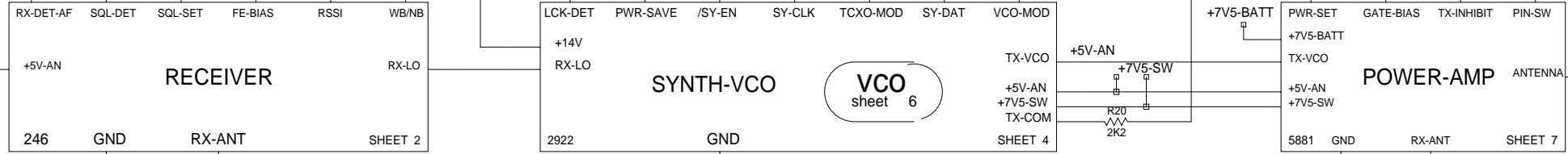


PROCESSOR
252 SHEET 3
DSP AUDIO



Interface PCB

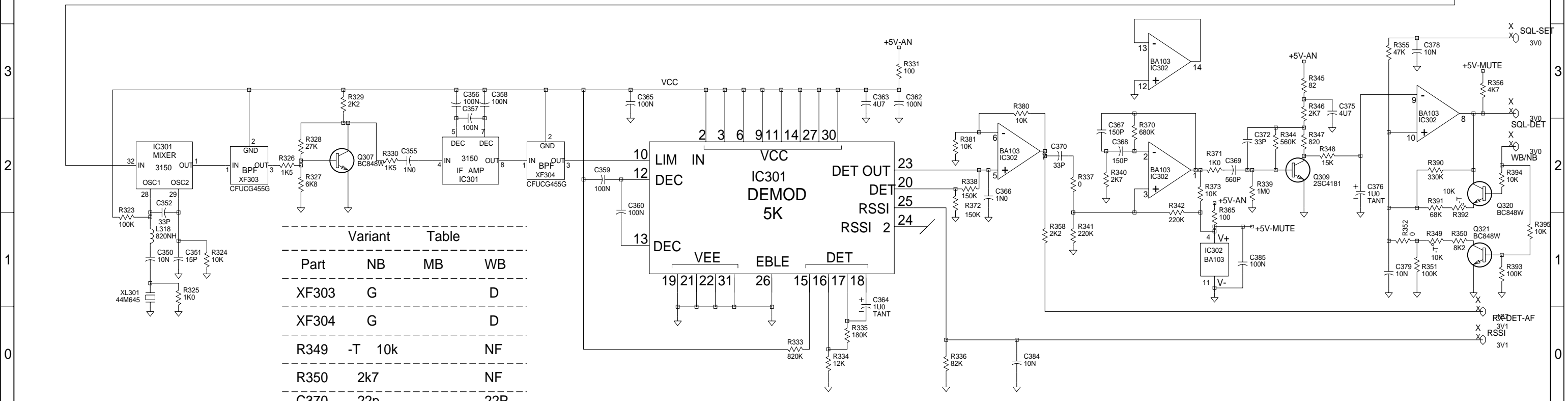
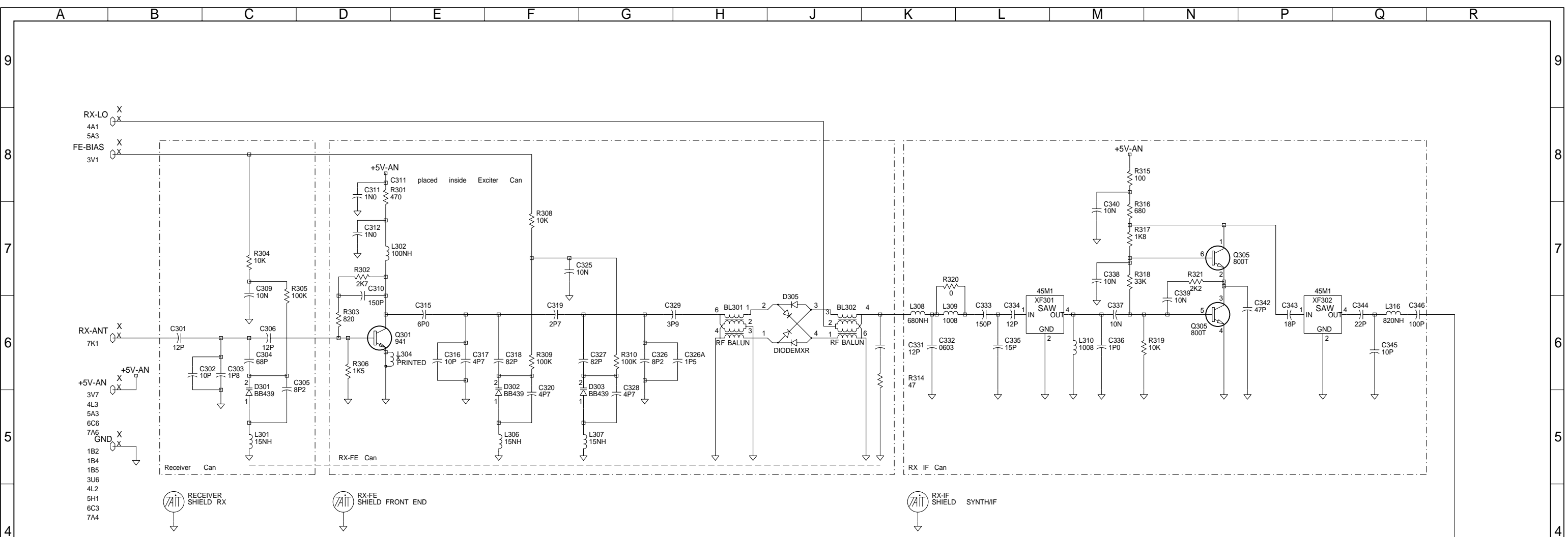
Connector Accessory



08	UPDATED MUTE CIRCUITRY	DBH	X	X	X	X
REV/ISS	AMENDMENTS	DRAWN	CHKD	D.O.	APVD	DATE

Sub UHF

© TAIT ELECTRONICS
ORCA :TP010- 336-400MHZ
SYSTEM DIAGRAM
IPN: A ID: 2.S.C. 1
PROJECT: 220-01503-00 DESIGNER: ORCA DBH FILE NAME: 150300A FILE DATE: 4-8-98 NO.SHEETS: 7

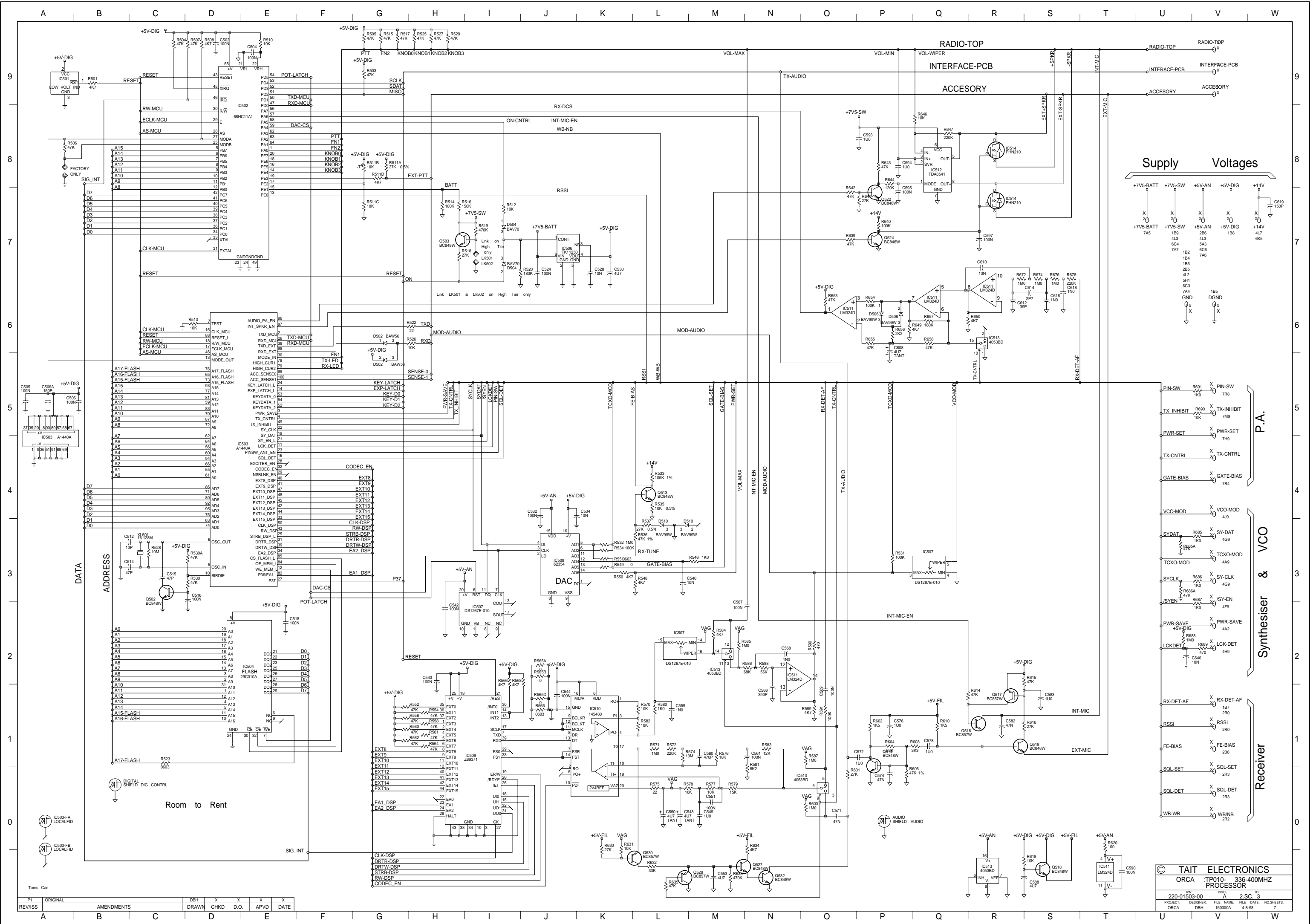


Variant Table

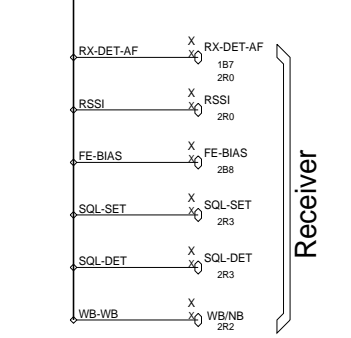
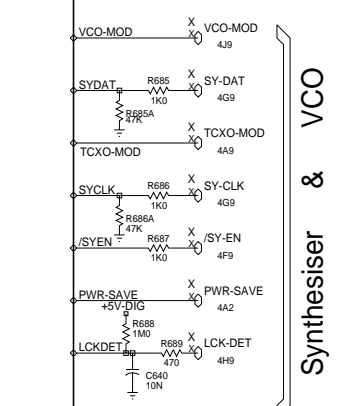
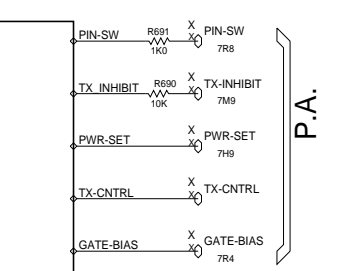
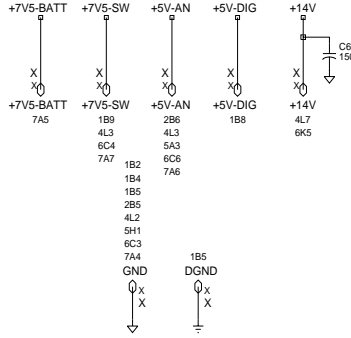
Part	NB	MB	WB
XF303	G		D
XF304	G		D
R349	-T 10k		NF
R350	2k7		NF
C370	22p		22P
C369	330P		330P

© TAIT ELECTRONICS
 ORCA :TP010- 336-400MHZ RECEIVER
 IPN: 220-01503-00 ISSUE: A ID: 2.S.C. 2
 PROJECT: ORCA DESIGNER: DBH FILE NAME: 150300A FILE DATE: 4-8-98 NO.SHEETS: 7

REV/ISS	AMENDMENTS	DRAWN	CHKD	D.O.	APVD	DATE
A						



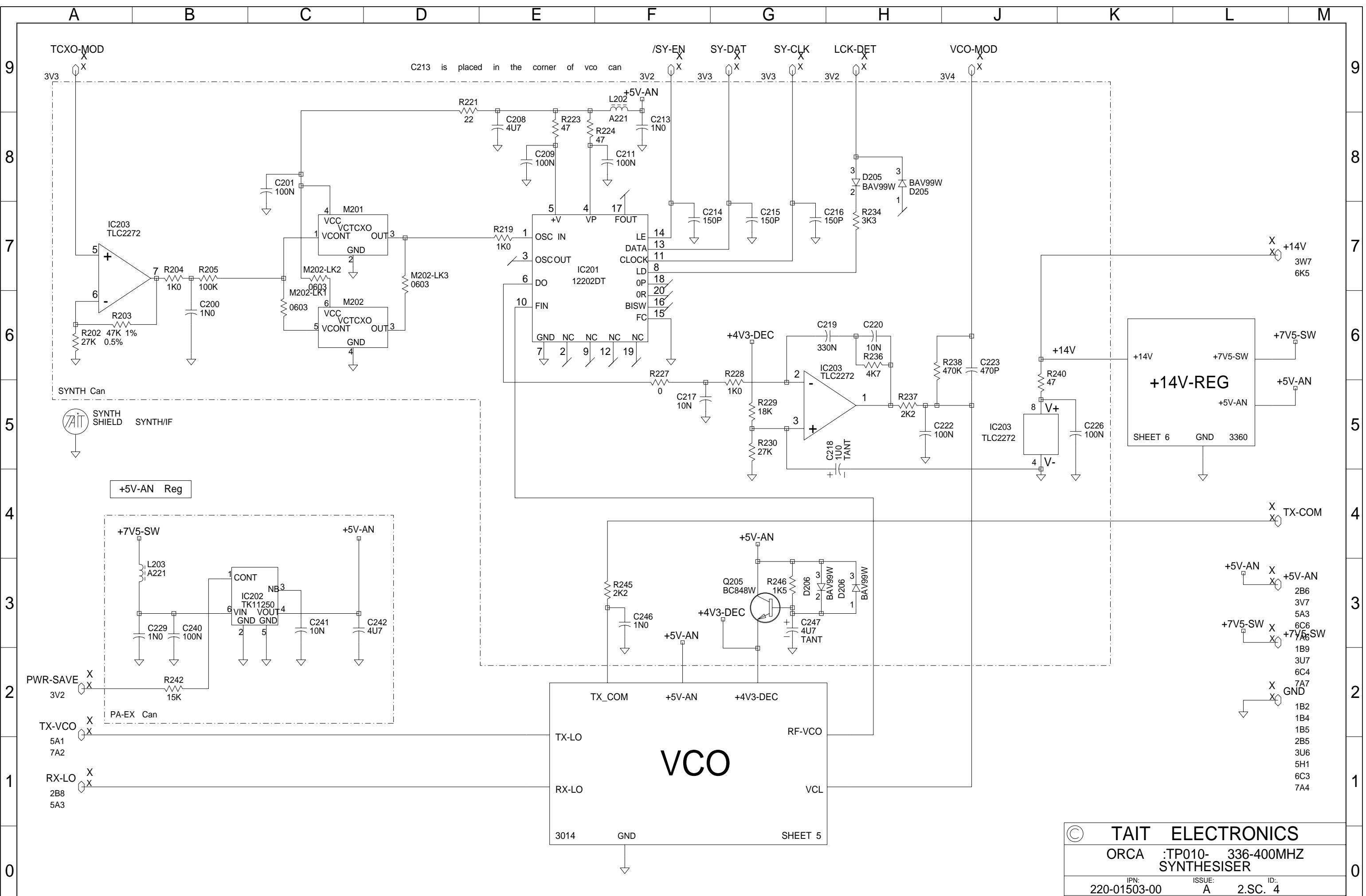
Supply Voltages



© TAIT ELECTRONICS
 ORCA :TP010- 336-400MHZ
 PROCESSOR
 220-01503-00 2-SC 3
 PROJECT: DESIGNED: FILE NAME: FILE DATE: NO SHEETS
 ORCA DBH 150300A 4-8-98 7

REV/ISS	ORIGINAL	AMENDMENTS	DBH	X	X	X	X
			DRAWN	CHKD	D.O.	APVD	DATE
A							

Toms Can



C213 is placed in the corner of vco can

VCO

3014 GND SHEET 5

TX-LO TX-COM +5V-AN +4V3-DEC RF-VCO VCL

+14V-REG

SHEET 6 GND 3360

+14V +7V5-SW +5V-AN

+5V-AN Reg

PA-EX Can

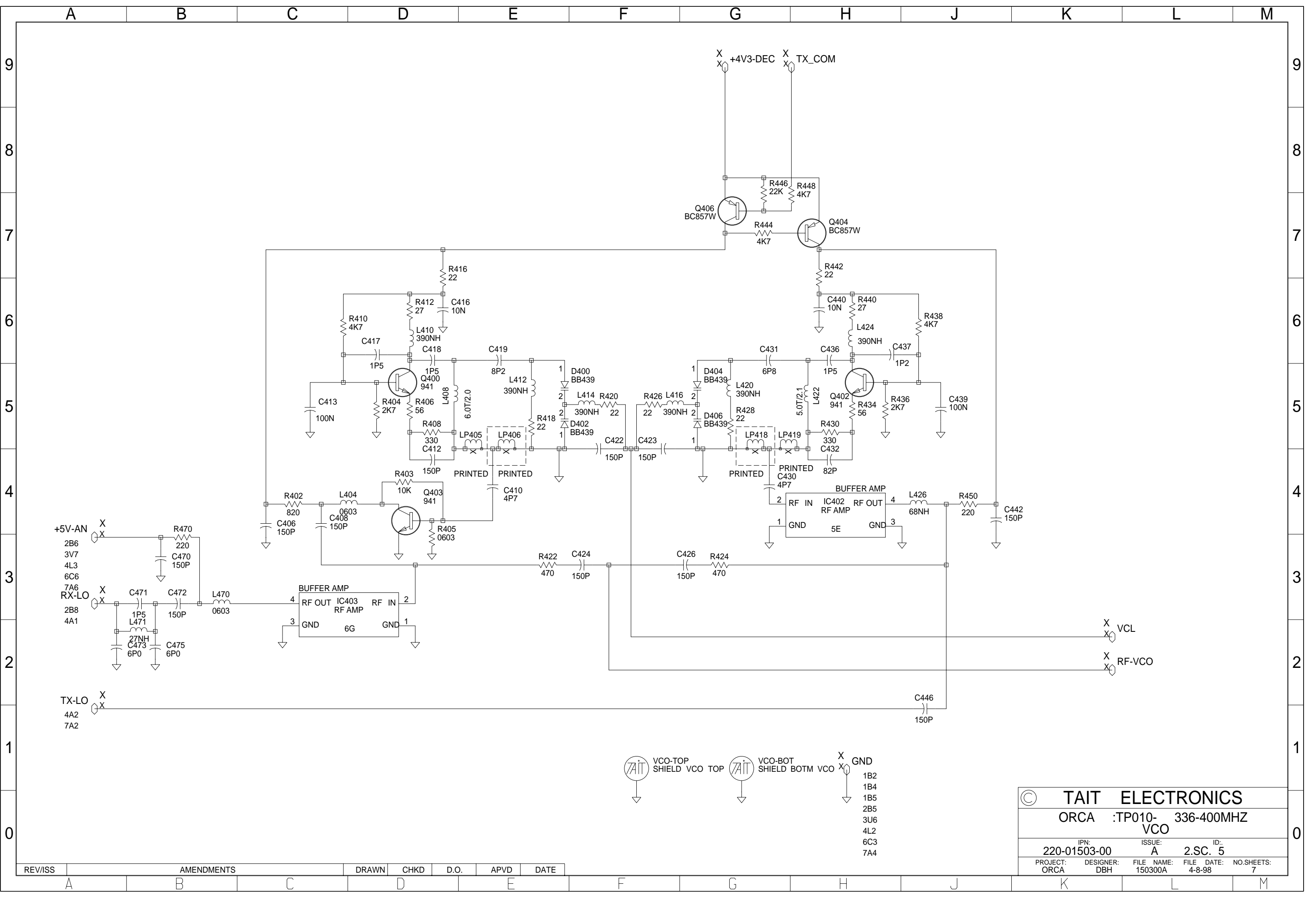
IC202 TK11250

CONT NB 3 VOUT 4 VIN 2 GND GND

+7V5-SW +5V-AN

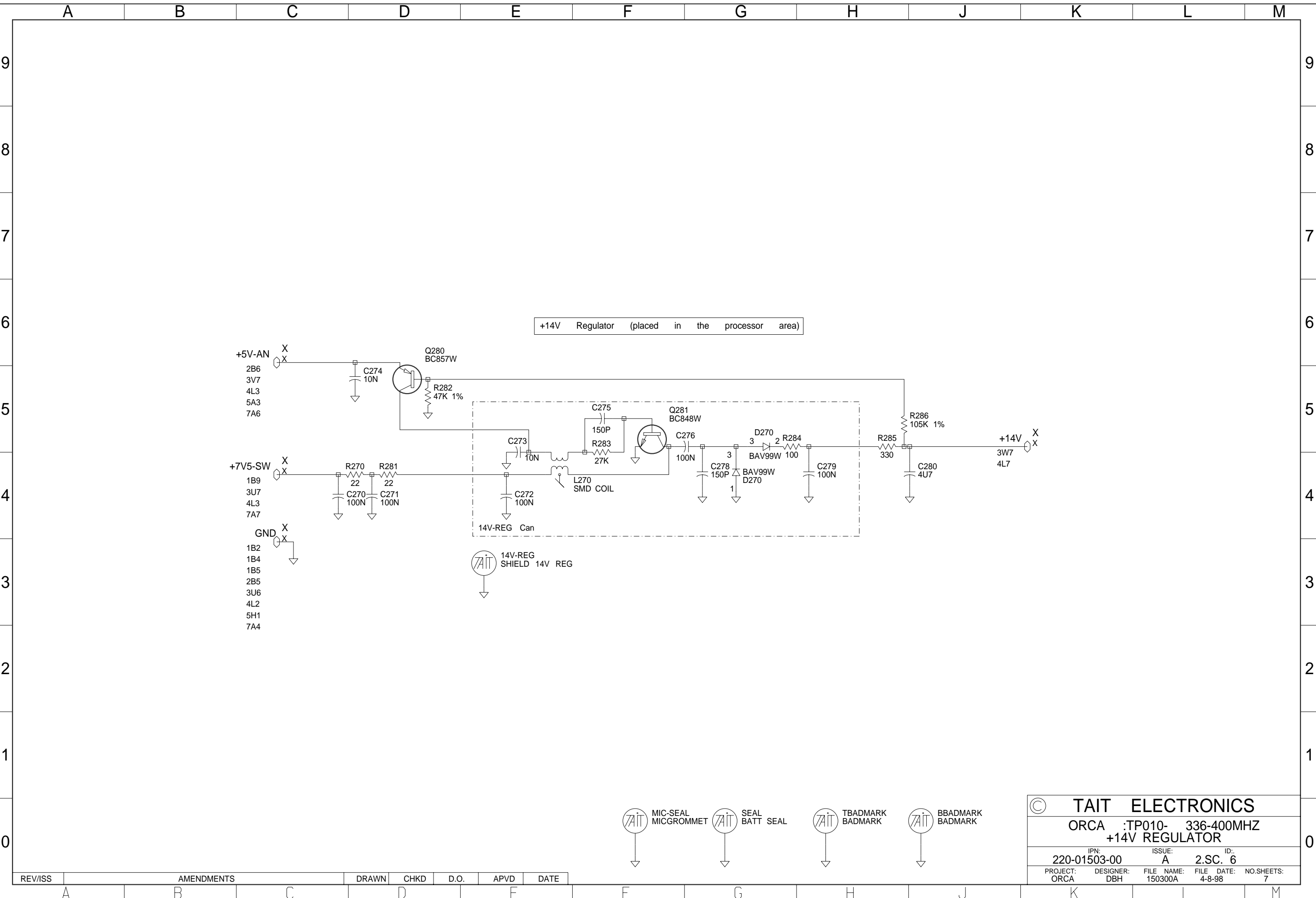
© TAIT ELECTRONICS	
ORCA :TP010- 336-400MHZ SYNTHESISER	
IPN: 220-01503-00	ISSUE: A ID: 2.SC. 4
PROJECT: ORCA	DESIGNER: DBH FILE NAME: 150300A FILE DATE: 4-8-98 NO.SHEETS: 7

REV/ISS	AMENDMENTS	DRAWN	CHKD	D.O.	APVD	DATE



© TAIT ELECTRONICS
 ORCA :TP010- 336-400MHZ
 VCO
 IPN: 220-01503-00 ISSUE: A ID: 2.SC. 5
 PROJECT: ORCA DESIGNER: DBH FILE NAME: 150300A FILE DATE: 4-8-98 NO.SHEETS: 7

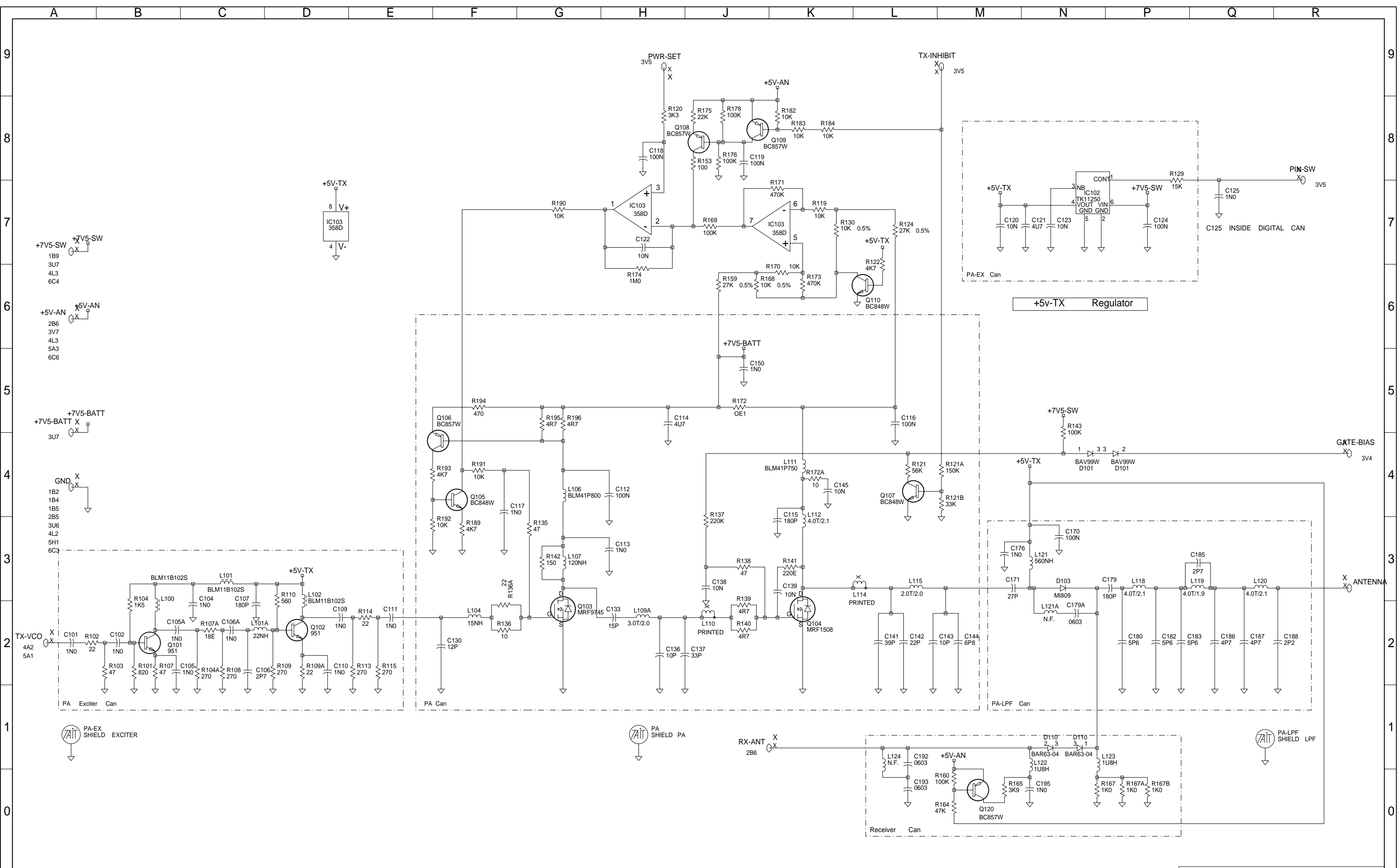
REV/ISS	AMENDMENTS	DRAWN	CHKD	D.O.	APVD	DATE



- MIC-SEAL
MICGROMMET
- SEAL
BATT SEAL
- TBADMARK
BADMARK
- BBADMARK
BADMARK

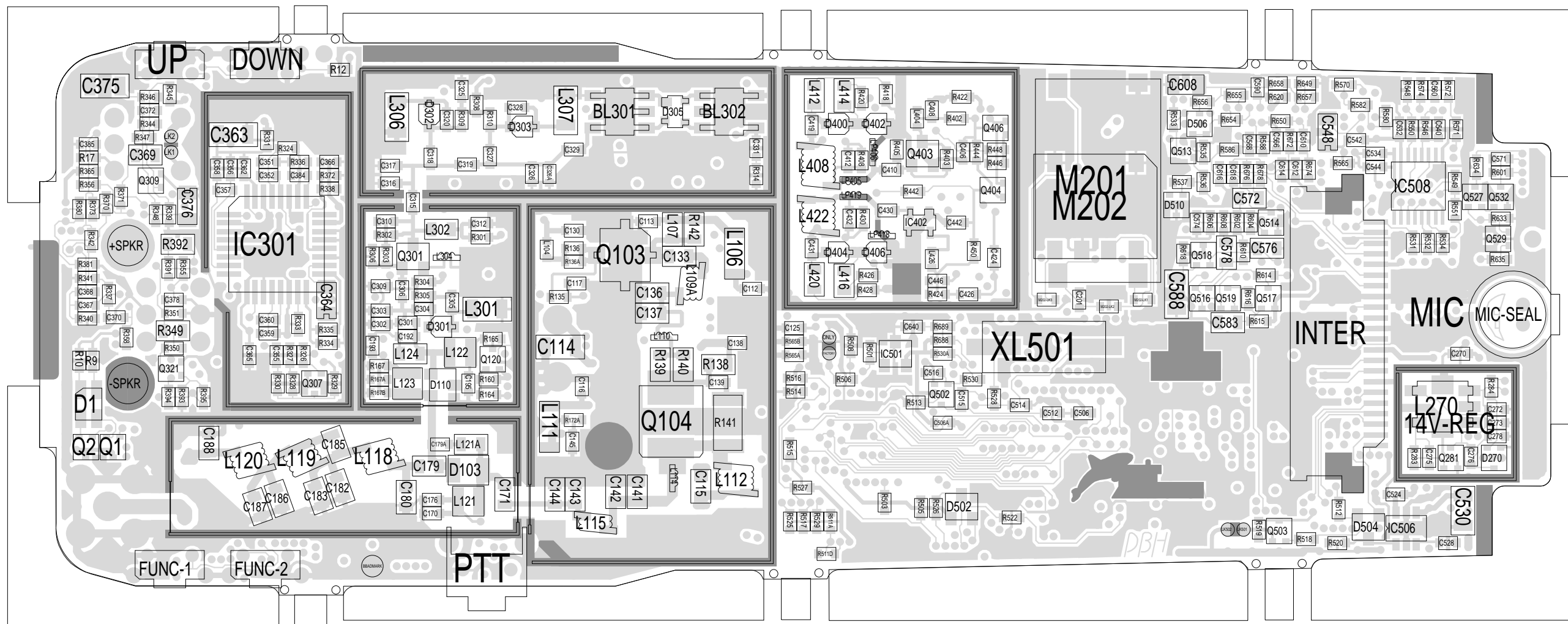
© TAIT ELECTRONICS				
ORCA :TP010- 336-400MHZ +14V REGULATOR				
IPN: 220-01503-00	ISSUE: A	ID: 2.SC. 6		
PROJECT: ORCA	DESIGNER: DBH	FILE NAME: 150300A	FILE DATE: 4-8-98	NO.SHEETS: 7

REV/ISS	AMENDMENTS	DRAWN	CHKD	D.O.	APVD	DATE



© TAIT ELECTRONICS
 ORCA :TP010- 336-400MHZ
 LOWCOST T3010
 IPN: 220-01503-00 ISSUE: A ID: 2.S.C. 7
 PROJECT: ORCA DESIGNER: DBH FILE NAME: 150300A FILE DATE: 4-8-98 NO.SHEETS: 7

03A	X		X	X	X	X	X
REV/ISS	AMENDMENTS		DRAWN	CHKD	D.O.	APVD	DATE



TAIT ELECTRONICS IPN: 220-01503-00 ISS: -00A ID: 6.BA DATE: 4 Aug 1998
 SUB UHF PCB LAYOUT - BOTTOM SIDE

Scale: 2.3:1 ; Rotation: 0 degrees